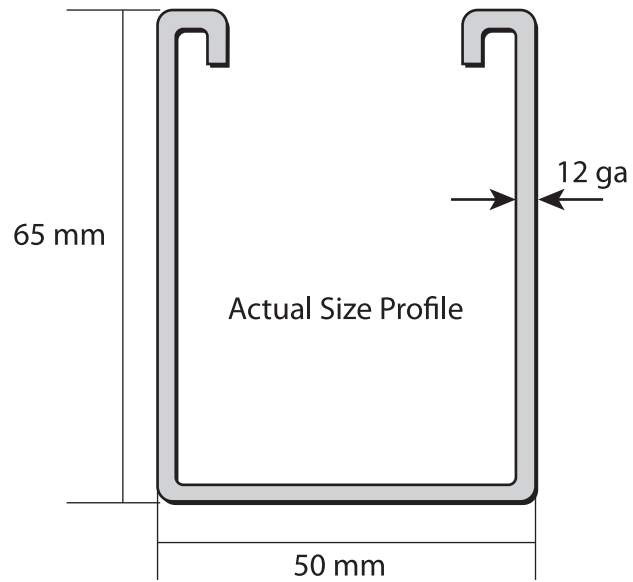
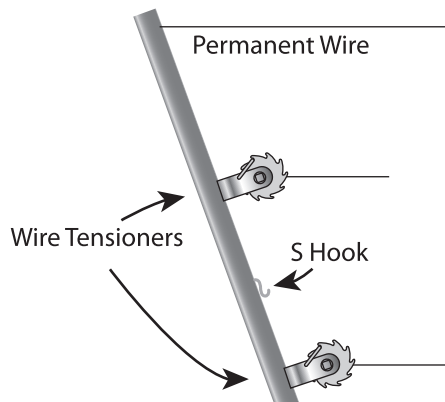
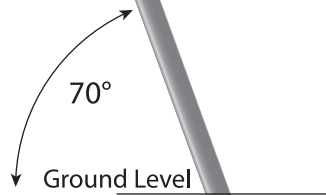


GALVANIZED STEEL END POST

3/8" diameter holes every 2" except for the bottom two feet.



Dimensions and thickness can be amended to enhance performance.



QUIEDAN COMPANY
15400 MERIDIAN RD., SALINAS, C
(831) 663-0770 FAX (831) 663-0777